

GA.0055.LG.04T GNSS ACTIVE ANTENNA SPECIFICATION

1. Application:

This application shall apply for antenna unit which shall be used with an engine for automobile

2. Appearance:

Antenna Unit (with radome, connector, and cable – refer to an attached drawing)

Dimensions	φ 66.5*85mm
Radome	#S1-M
Output Connector	TNC
Cable	NA

3. Operating Condition:

Operating Temperature	-40 ~ +85°C
Relative Humidity	20 ~ 95% RH

4. Storage Condition:

Storage Temperature	-40 ~ +85°C
Relative Humidity	20 ~ 95% RH
Recommended Storage condition	Store in room condition as listed below: Temperature -20°C ~ +45°C, Humidity 80% Max.

5. Electrical Specification:


* All value are defined at 25±15°C, 65±20 % RH, power handling 10 watt, air pressure 960 ±100 HPA unless otherwise noted.

* Antenna characteristics are measured with test housing in an anechoic chamber.

5-1 GNSS PATCH Antenna

Characteristics		Specification
Frequency Range		1560MHz~1576MHz
Center Frequency		1575±3MHz
Bandwidth (10Db return loss)		50 MHz
Zenith Gain (on 100*100mm ground)	1561.098MHZ	5.0 dBic typ.
	1575.42 MHz	5.0 dBic typ.
Polarization		R.H.C.P.
Axial ratio		4dB @90°, 6Db @20°
Dimension		25*25*6mm

5-2 GNSS LNA

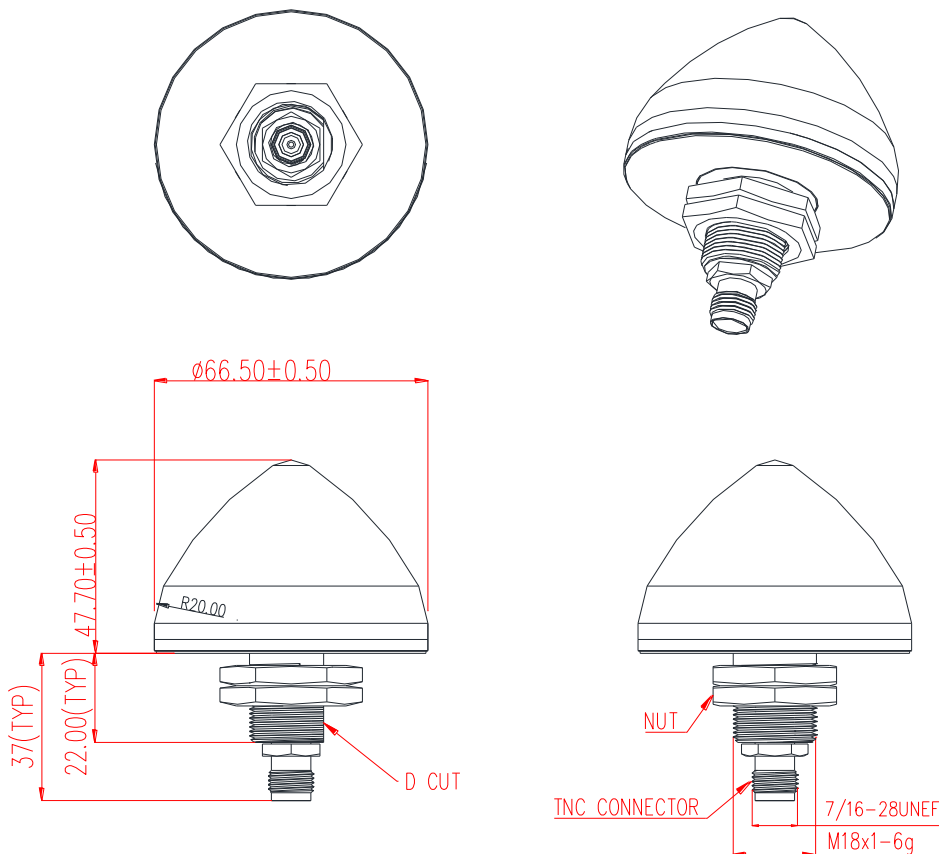
UNLESS OTHER SPECIFIED TOLERANCES ON :			KINGRF TECHNOLOGY CO., LTD.
X=±	X.X=±		
ANGLES=±		HOLEDIA=±	
SCALE :	UNIT : mm	THIS DRAWINGS AND SPECIFICATIONS ARE THE PROPERTY OF KINGRF TECHNOLOGY CO.,LTD.AND SHALL NOT BE REPRODUCED OR USED AS THE BASIS FOR THE MANUFACTURE OR SALE OF APPARATUS OR DEVICES WITHOUT PERMISSION	
DRAWN BY : XIN	CHECKED BY: YS		
DESIGNED BY: De wen	APPROVED BY: YS		
TITLE : GA.0055.LG.04T GNSS ACTIVE ANTENNA SPECIFICATION			SPEC REV. P0

Characteristics	Specification
Frequency Range	1560MHz~1576MHz
Gain	40 dB typ.
Noise Figure	<2.5 dB
Output V.S.W.R	<1.5
Operation Voltage	2.7~10 V
Current	<25 Ma

5-3 GNSS Overall Specifications (Through Antenna & LNA)

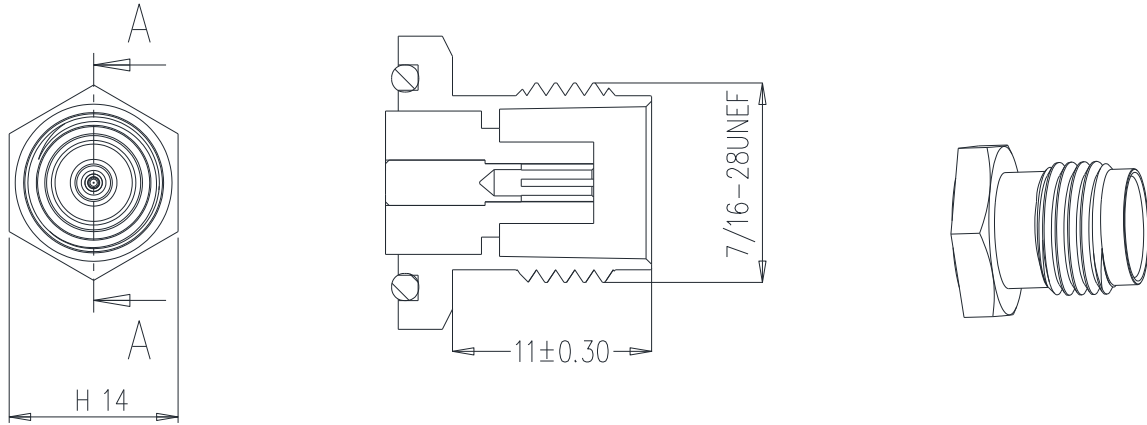
Characteristics	Specification
Frequency Range	1560MHz~1576MHz
Zenith Gain	40 dBic typ.
Output Impedance	50 ohm
Output VSWR	≤1.5
Operation Voltage	2.7~10V
Current	<25 Ma
Ex-band Rejection	50Db TYP. @CF±50MHZ
Mounting model	screw type
Water proof class	IP67 rated
Vibration	3 axis,10 to 200HZ, sweep 15min,3G
Shock	Vertical axis:50G, other axes:30G
ESD protection	15KV air discharge
Environmentally friendly	ROHS Compliant

6. Antenna Dimension:



UNLESS OTHER SPECIFIED TOLERANCES ON :			KINGRF TECHNOLOGY CO., LTD.
X=±	X.X=±		
ANGLES=±		HOLEDIA=±	
SCALE :	UNIT : mm	THIS DRAWINGS AND SPECIFICATIONS ARE THE PROPERTY OF KINGRF TECHNOLOGY CO.,LTD.AND SHALL NOT BE REPRODUCED OR USED AS THE BASIS FOR THE MANUFACTURE OR SALE OF APPARATUS OR DEVICES WITHOUT PERMISSION	
DRAWN BY : XIN	CHECKED BY: YS		
DESIGNED BY: De wen	APPROVED BY: YS		
TITLE : GA.0055.LG.04T GNSS ACTIVE ANTENNA SPECIFICATION			SPEC REV. P0

7. Connector appearance: TNC CONNECTOR



8. Product Image:



UNLESS OTHER SPECIFIED TOLERANCES ON :			KINGRF TECHNOLOGY CO., LTD.
X=±	X.X=±		
ANGLES=±		HOLEDIA=±	
SCALE :	UNIT : mm	THIS DRAWINGS AND SPECIFICATIONS ARE THE PROPERTY OF KINGRF TECHNOLOGY CO.,LTD.AND SHALL NOT BE REPRODUCED OR USED AS THE BASIS FOR THE MANUFACTURE OR SALE OF APPARATUS OR DEVICES WITHOUT PERMISSION	
DRAWN BY : XIN	CHECKED BY: YS		
DESIGNED BY: De wen	APPROVED BY: YS		
TITLE : GA.0055.LG.04T GNSS ACTIVE ANTENNA SPECIFICATION			SPEC REV. P0